

—

---

Regulation of production design drawing for offshore hull

---

—

B=\*0 , ), — -++ ,

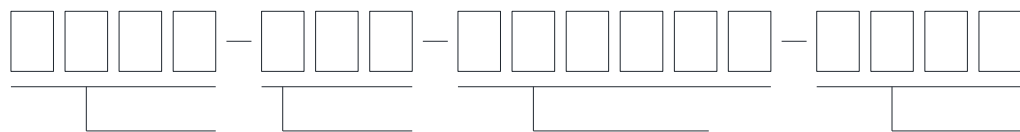


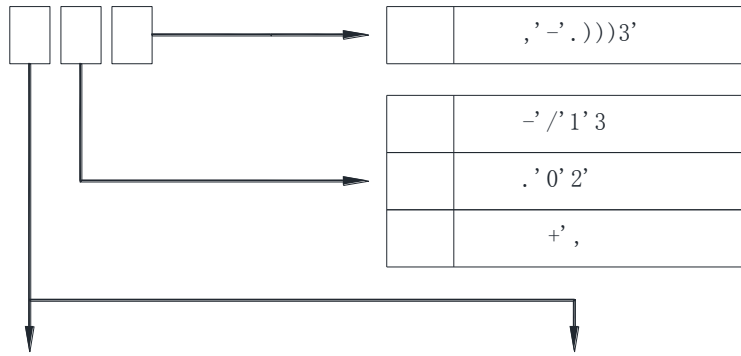


-.

AR ' AO ' KN ' N= ' DI ' JPO ' OJK ' =OH  
" ( " G Q'  
" =(=" KG I'  
" ( " N '

/ I011 I331 I  
. ,+, 3-, +2 /)-)-  
/(1 F, AM-. = /)-).  
, = /)-)/





,	/	0W1	
-		2	/
.	/	3	
/			

KNQ

,		1	
-		2	
.		3	
/			
0		+	/

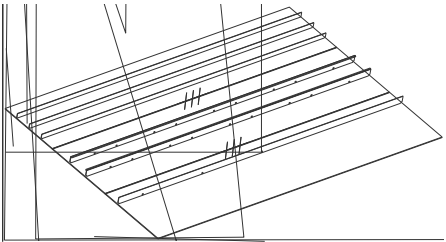
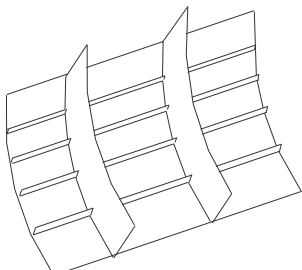
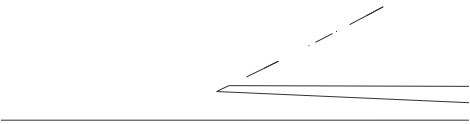
, ( .  
 ,  
 / (U

FRO

00		ON	=S
		=	=G
		MC	=P
		CK	NO
		=B	=O
			H
			=F
			0

F0 , ( . ' , , = , 0 , 0  
0



	F		
	M	<p>’ - .</p>	
	P	<p>’ -</p>	
		<p>’ -</p>	

—

/ I011 I331 I

/)-)-

-

I		
A		
N		(
E	* *	* *

+1B8G8QG

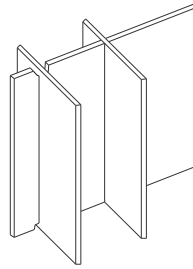
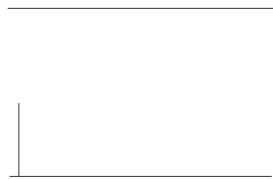
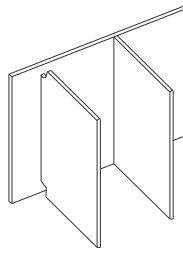
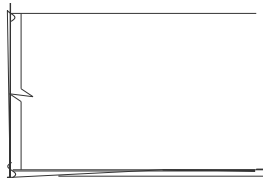
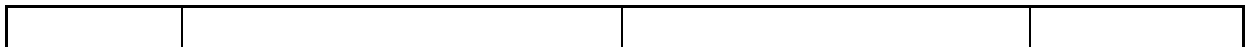
	2 ' '
	2 ' 0 3
	2 , '
	2 ,*—
	2

2

,\*—

—

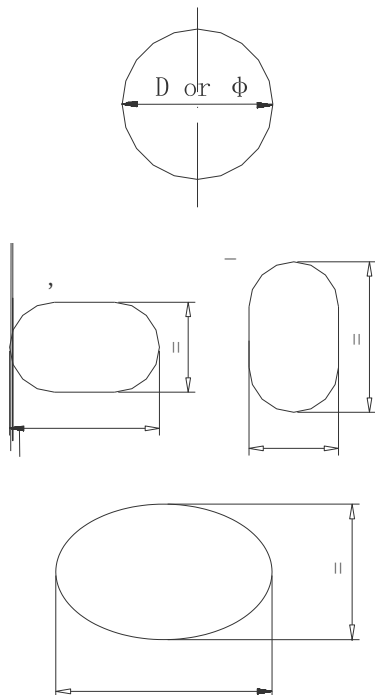
0

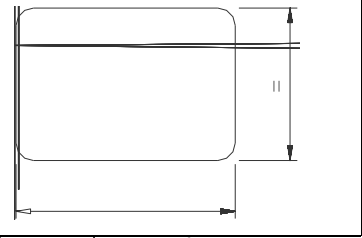


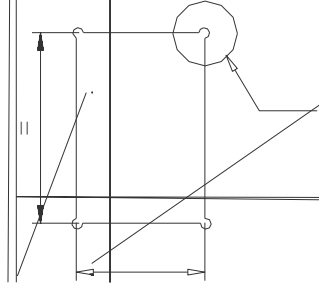
,+

NI DK N  
,0 -0 . +°  
0 NA

GT0 ' ' SFG B

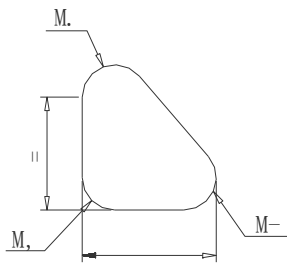
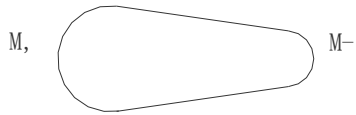


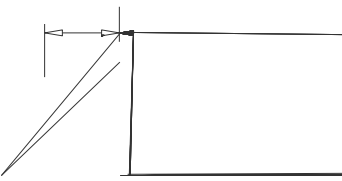
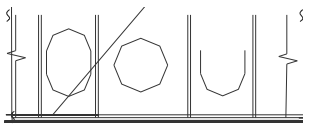
	CM	(HR 2000× 1000× R100) (A)× (B)×	
-----------------------------------------------------------------------------------	----	------------------------------------	--



CMH

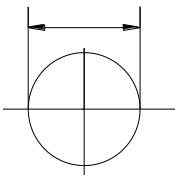
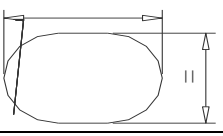
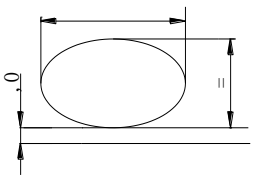
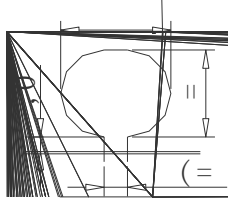
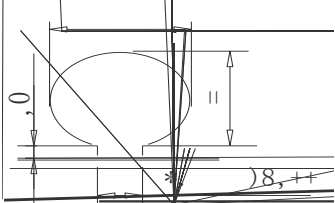
× = × M  
(HRM1000× 2000× R15)



	<p>a</p>	
	<p>, , *—</p>	

K)

(( ((

			.0	
			0+	
			20	
			,++	
			,0+	
CJ	CJ =		,0+	=
			---	,++
			.++	,0+
C	C =		,-+	1+
			,0+	20
			---	,++
			.++	,0+
			/++	---
FJ	FJ =		,-+	1+
			,0+	20
			---	,++
			.++	,0+
			.0+	,20
F	F =		,-+	1+
			,0+	20
			---	,++
			.++	,0+
			/++	---

M ,\*/

,0+ ,

,0+ --- M.0

--- .0+ MO+

.0+ M20

/++ M,++

,- , ,+ ,-, ,0 ,0 ,0

--- ,0 Q

, ,

,/

—

-0+

,

0+



,

, -)2- R =0. ,, -1, 2

,

,0

--	--	--	--

/ J-  
,  
-  
.  
,  
-  
,  
-

—

A  
N

N R  
J- N R A =

N  
I

N

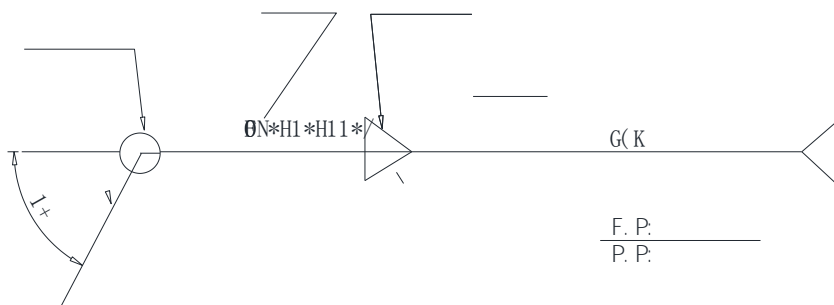
.)0  
. )0 /

N  
I

N

,+ = ,0 8,0( ,+80

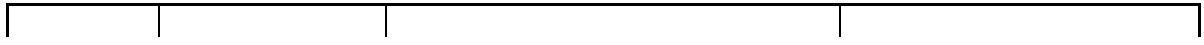
,+



,,

K ▽			
▽			
0 ▽			

—



,

